

ProCOMP PARTS CATALOG – YOUR SOURCE
Telephone (888)388-4321 Fax (732)786-9511
www.ProCOMP-INC.com

BASE PLATE MOUNT
HYGIENIC TUBE SUPPORTS AND ANCHORS:

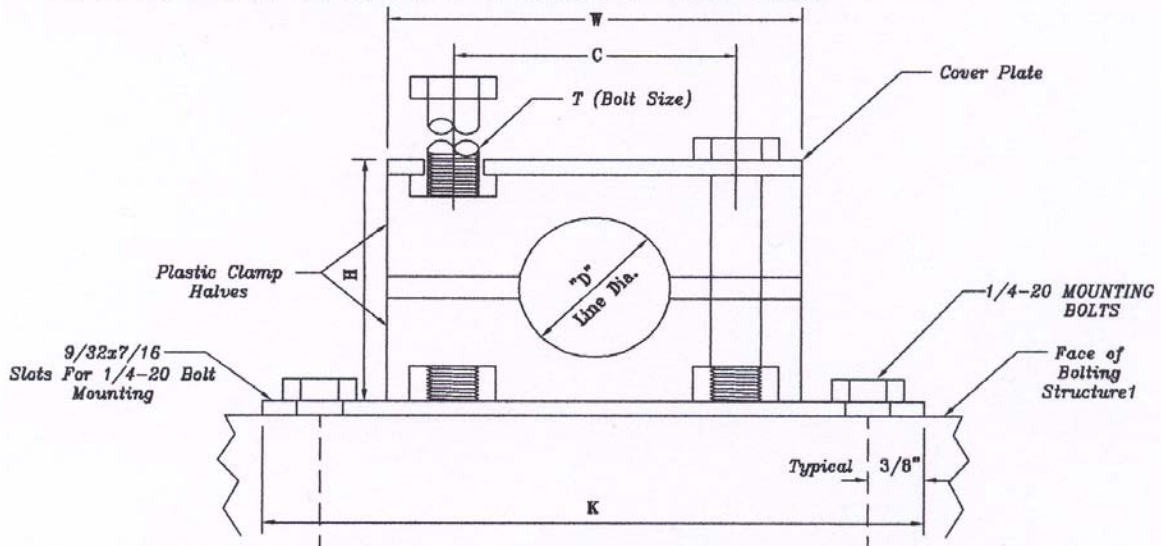
INSTALLATION NOTES:

1. BASE PLATES CAN BE FIELD BOLTED/WELDED TO STEEL SUPPORT OR BEAM IN ANY "VERTICAL" OR "HORIZONTAL" POSITION.

2. USE THERMAL EXPANSION GUIDE (SBG) SHIM WHEN NECESSARY TO ALLOW FOR THERMAL EXPANSION AND CONTRACTION OF LINE TUBE FOR LARGE TEMPERATURE FLUXES. FOR CORRECT MATERIAL CLASSIFICATION

SUBSTITUTE PREFIX "SBG" IN LEU OF SB. (.030 BLACK SANTOPRENE)

NOTE: .030 MUST BE ADDED TO H DIMENSION WHEN USED.



GROUP No.	"D" LINE DIA.	PART No.	"D"	W	H	C	T BOLT SIZE
6	1/4 T	SB-*-6025-**-BAP	.250	3.34	2.63	2.60	1/4-20
	3/8 T	SB-*-60375-**-BAP	.375				
	1/2 T	SB-*-6050-**-BAP	.500				
	5/8 T	SB-*-60625-**-BAP	.625				
	3/4 T	SB-*-6075-**-BAP	.750				
	7/8 T	SB-*-60875-**-BAP	.875				
	1 T	SB-*-6100-**-BAP	1.000				
	1 1/4 T	SB-*-6125-**-BAP	1.250				
	1 1/2 T	SB-*-6150-**-BAP	1.500				
7	2 T	SB-*-6200-**-BAP	2.000	5.00	4.38	4.25	1/4-20
	2 1/2 T	SB-*-7250-**-BAP	2.500				
	3 T	SB-*-7300-**-BAP	3.000				
	3 1/2 T	SB-*-7350-**-BAP	3.500				
7A	4 T	SB-*-7A400-**-BAP	4.000	5.77	4.80	4.95	1/4-20
8	6 T	SB-*-8600-NN-BAP	6.000	8.88	7.65	7.75	3/8-16

(NOMINAL PIPE SIZES AND SPECIAL BORE DIAMETERS AVAILABLE)

SPECIFY MATERIAL

** - "PP" = POLYPROPYLENE (BLUE)
 "SP" = SANTOPRENE (BEIGE)
 "NN" = UHMW (OFF-WHITE)

* - SPECIFY HARDWARE

"T" = 304
 "X" = 316
 "Z" = ZINC PLATED

NOTE: 1/4-20 MOUNTING BOLTS NOT INCLUDED WITH THESE PART NUMBERS.

600 Park Ave., Manalapan, NJ 07726

- 22 -

NO ORDER IS TOO LARGE OR TOO SMALL