

ProCOMP PARTS CATALOG – YOUR SOURCE
Telephone (888)388-4321 Fax (732)786-9511
www.ProCOMP-INC.com

FLOOR MOUNT OF HYGIENIC TUBE SUPPORTS

FABRICATION/INSTALLATION NOTES:

1. FOR USE IN HYGIENIC AREAS AND NON-HYGIENIC AREAS.
2. EXCEPT THIS WELD, ALL OTHER WELDS CAN BE SHOP WELDED.
TACK WELD SHOULD BE USED AT THE "TELESCOPE UNION" UNTIL PROPER SLOPE HAS BEEN VERIFIED AND RECORDED.
3. THE BELOW REFERENCED PART NUMBERS INCLUDE:
 - ① 1 1/4" DIA. S.S. TUBE WELDED TO ⑤
 - ② 1" DIA. S.S. TUBE SHOP WELDED TO ④
 - ③ COMPLETE HYGIENIC TUBE SUPPORT
 - ④ ADAPTER PLATE SHOP WELDED TO ③ AND ②
 - ⑤ BASE PLATE SHOP WELDED TO ①
4. ANCHOR BOLTS NOT INCLUDED
5. UPON REQUEST ALL STAINLESS STEEL PARTS CAN BE ELECTROPOLISHED.

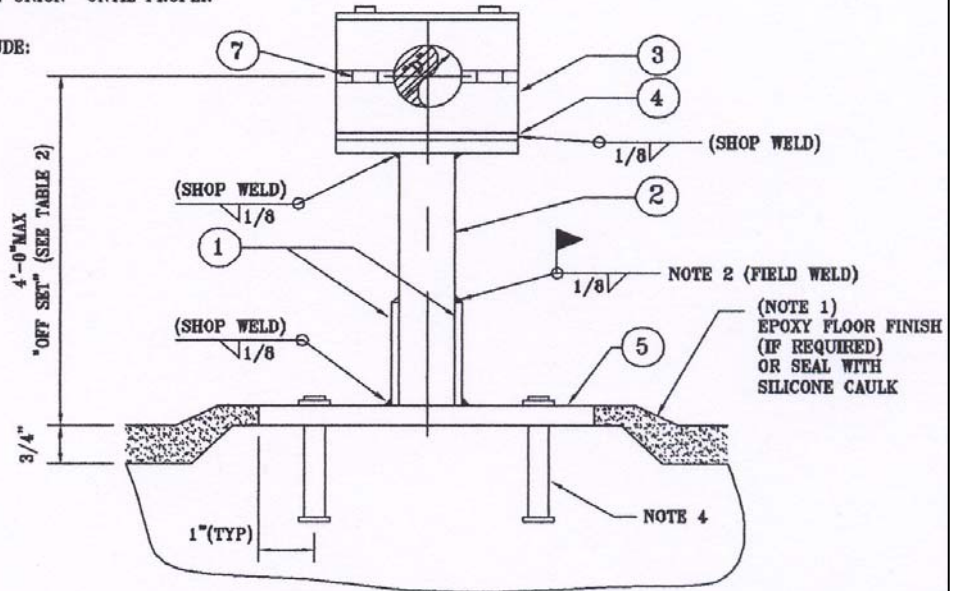


TABLE 1

"D" LINE DIA.	①	②	③	④ ADAPTER PLATE	⑤ BASE PLATE SIZE	⑥ ANCHOR BOLT SIZE	⑦ EXPANSION GUIDE
1/2" - 2" ∅	STAINLESS 1 1/4" DIA. TUBE	STAINLESS 1" DIA. TUBE	COMPLETE HYGIENIC SUPPORT (SEE DWG. NO. ST-CLG-COP-STW)	3 1/4" x 1 3/8" x 1/4"	6" SQ. x 3/8" THK.	3/8" x 3 3/4"	THERMAL EXPANSION GUIDE SHIM IF NECESSARY (SEE DWG. No. ST-CLG-COP-STW) FOR PART No. INFO RECOMMENDED ON ALL OFF-SETS OVER 24"
2 1/2" - 4" ∅				5 3/4" x 1 3/8" x 1/4"	6" SQ. x 3/8" THK.	3/8" x 3 3/4"	
6" ∅				9 3/4" x 1 3/4" x 1/4"	6" SQ. x 1/2" THK.	1/2" x 4 1/2"	

TABLE 2

GROUP #	LINE SIZE	PART NUMBERS	"OFF-SET" RANGE IN INCHES					
			-6	-12	-24	-36	-48	-96
6	1/2"	SB--6050--FM--***	UP TO 12" CUT AND WELD 1" DIA. SS TUBE IN FIELD	9 1/2" - 15"	15" - 25"	24" - 44 1/2"	42" - 48"	----
	3/4"	SB--6075--FM--***						
	1"	SB--6100--FM--***						
	1 1/2"	SB--6150--FM--***						
	2"	SB--6200--FM--***						
7	2"	SB--7200--FM--***		11" - 16"	16" - 26"	26" - 45"	45" - 48"	----
	2 1/2"	SB--7250--FM--***						
	3"	SB--7300--FM--***						
7A	3 1/2"	SB--7350--FM--***		11" - 16"	16" - 26"	26" - 45"	45" - 48"	----
7A	4"	SB--7A400--FM--***						
8	6"	SB--8600--NN-FM--***	12" - 16 1/2"	16" - 26"	26" - 45"	45" - 48"	----	

SPECIFY MATERIALS

- * "T" FOR 304 STAINLESS STEEL HARDWARE
- * "X" FOR 316 STAINLESS STEEL HARDWARE
- ** "SP" FOR SANTOPRENE (BEIGE) CLAMP BLOCKS (HYGIENIC)
- ** "PP" FOR POLYPROPANE (BLUE) CLAMP BLOCKS (HYGIENIC)
- ** "NN" UHMW (OFF-WHITE)
- *** = (-6-12-24-36-48)

600 Park Ave., Manalapan, NJ 07726

YOUR ONE STOP SOURCE FOR ALL YOUR HIGH PURITY FLOW COMPONENT NEEDS