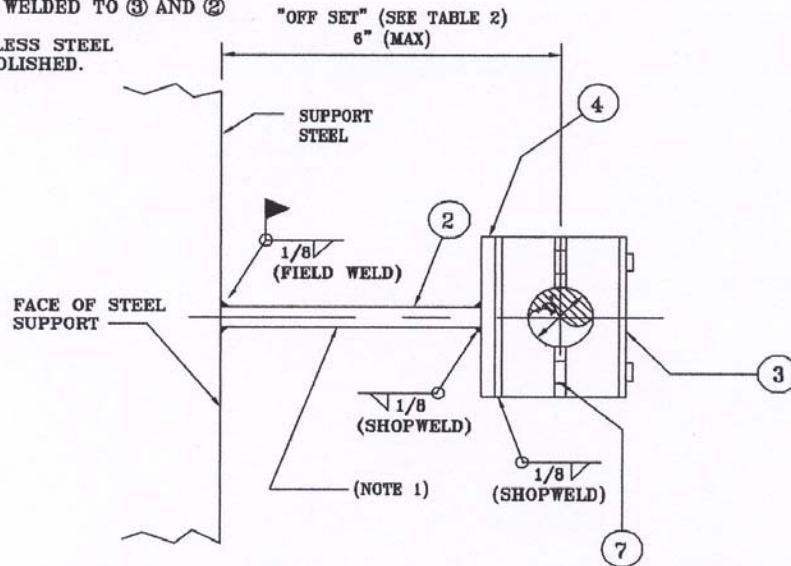


**ProCOMP PARTS CATALOG – YOUR SOURCE**  
**Telephone (888)388-4321 Fax (732)786-9511**  
[www.ProCOMP-INC.com](http://www.ProCOMP-INC.com)

SIDE MOUNT OF HYGIENIC TUBE SUPPORTS

FABRICATION/INSTALLATION NOTES:

1. CUT ② IN FIELD.
2. THE BELOW REFERENCED PART NUMBERS INCLUDE:
  - ① COMPLETE HYGIENIC TUBE SUPPORT SHOP WELDED TO ④
  - ② 1" DIAMETER STAINLESS STEEL TUBE CUT TO LENGTH IN FIELD AND WELDED TO FACE OF STEEL SUPPORT.
  - ④ ADAPTER PLATE SHOP WELDED TO ③ AND ②
3. UPON REQUEST ALL STAINLESS STEEL PRODUCTS CAN BE ELECTROPOLISHED.



"D" LINE DIA.	①	②	③	④ ADAPTER PLATE	⑦
1/2" - 2" T	HYGIENIC TUBE SUPPORT	1" DIA S.S. TUBE 6" LONG CUT IN FIELD	COMPLETE HYGIENIC SUPPORT (SEE DWG. No. ST-CLG-COP-STW)	3 1/4" x 1 5/8" x 1/4"	THERMAL EXPANSION GUIDE SHIM IF NECESSARY. (SEE DWG. No. ST-CLH-COP-STW) FOR PART No. INFO
2 1/2" - 4" T				5 3/4" x 1 3/8" x 1/4"	
6" T				9 3/4" x 1 3/4" x 1/4"	

SPECIFY MATERIAL

- \* "T" 304 STAINLESS STEEL HARDWARE
- "X" 316 STAINLESS STEEL HARDWARE
- \*\* "SP" SANTOPRENE (BEIGE) PLASTIC CLAMP BLOCKS (HYGIENIC)
- "PP" POLYPROPYLENE (BLUE) PLASTIC CLAMP BLOCKS (HYGIENIC)

GROUP	LINE SIZE	PART #	OFF-SET IN INCHES
6	1/2"	SB-*-6050-**-SM	<p align="center">6" MAXIMUM</p> <p>② 1" DIAMETER STAINLESS STEEL TUBE TO BE CUT IN FIELD AND FIELD WELDED</p>
	3/4"	SB-*-6075-**-SM	
	1"	SB-*-6100-**-SM	
	1 1/2"	SB-*-6150-**-SM	
	2"	SB-*-6200-**-SM	
7	2"	SB-*-7200-**-SM	
	2 1/2"	SB-*-7250-**-SM	
	3"	SB-*-7300-**-SM	
7A	3 1/2"	SB-*-7350-**-SM	
	4"	SB-*-7A400-**-SM	

600 Park Ave., Manalapan, NJ 07726

YOUR ONE STOP SOURCE FOR ALL YOUR HIGH PURITY FLOW COMPONENT NEEDS